

1

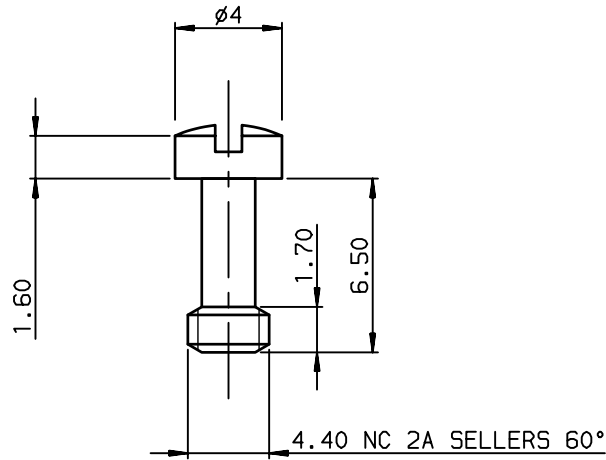
2

3

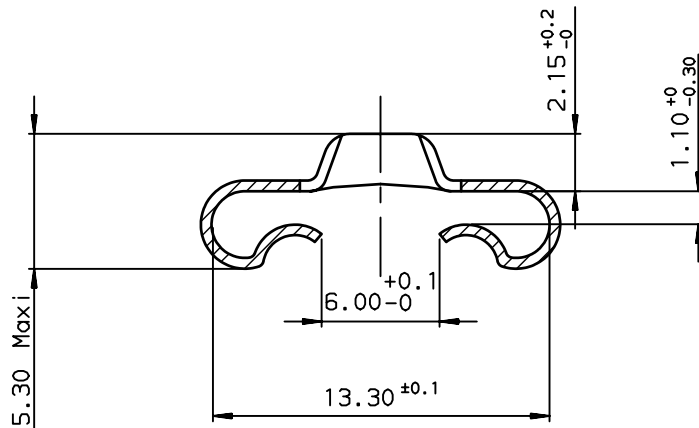
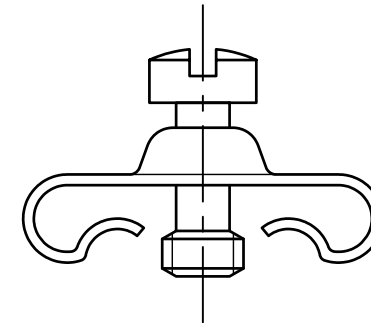
4

NOTES

Pieces assembly
 Packaging : per 100 piece
 Material : steel
 Plating : yellow chromate cadmium
 Thread : UNC 4.40



VIEW ASSEMBLE



Part Number **8630-05A**

European Views

www.fciconnect.com		surface ISO 1302 <input checked="" type="checkbox"/>	tolerance std ISO 406 ISO 1101	projection 	mm
TOLERANCES UNLESS OTHERWISE SPECIFIED					
Dr	JOUBERT	1998/03/27	ANGULAR	0.X ± 0.1	size A3
Eng	-	-	LINEAR	0.XX ± 0.1	Scale 5
Chr	-	-	0.XX' $\pm 2^\circ$	0.XXX ± 0.1	ECN LS07-0001
Appr	-	-	Product family	D-SUB	Spec ref -
		title MALE SCREW FOR HOUSINGS			Rev. C
		9 TO 25 PTS (P ET S)			dwg no C01-8655-0711
		catalog no -			CUSTOMER sheet 1 of 1

rev	ecn no	dr	date
A	-	SJO	1998/03/27
B	LS06-0101	MPE	2006/06/27
C	LS06-0001	MPE	2007/01/02
-	-	-	-
-	-	-	-
-	-	-	-



Copyright FCI.

1

2

3

PDM: Rev:C

STATUS: Released

Printed: Feb 27, 2007